

THERMOGRAPHIC

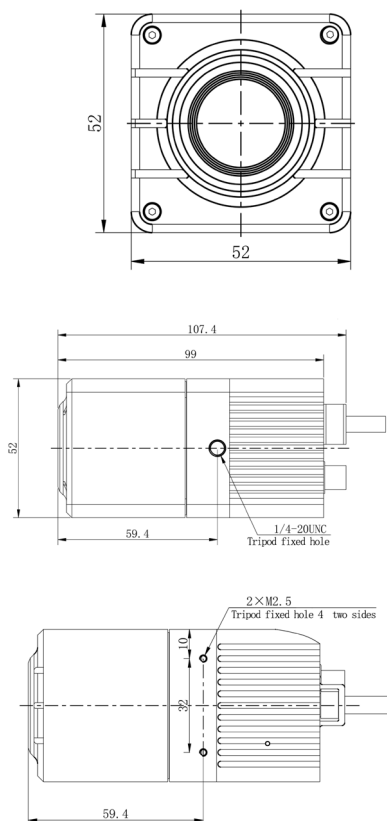
iThermal mini 300/600



Product Features

- Non-contact real time online temperature measurement and analyzing, support back-end temperature image analysis
- Full screen accurate temperature measurement
- Various temperature measuring ranges optional, max up to 3000 °C
- Anti-sunburn function, avoid burns on detector
- Professional thermal lens for temperature measurement, support automatic focus and focus free from two meters away
- Compact size, low power consumption, and reinforced shockproof design of external interface

Product Size



Remark: Items with asterisk (*) are optional value added function and may be asked for extra fee, please consult before your choice.

Technical Specification

Items/Technical Specification	iThermal mini-300	iThermal mini-600 (Available Soon)
Detector characteristic		
Detector	Uncooled amorphous silicon FPA	
Array format / Pixel pitch	384x288/17µm	640x480/17µm
Sensitivity	≤50mk@300K	
Frame rate	25Hz	
Spectral range	8~14µm	
Optical property characteristic		
Focal length and FOV	15mm: 25°x19°	24.5mm: 25°x19°
F	1.2	
Focus	Electromotion	
Image processing		
Image adjustment	Manual /Auto adjust contrast, brightness	
Noise reduction	3D Digital filter	
Image effect gain	IDE,HDR	
Image output definition	720x576	640x480
Pseudo color	9 Pseudo color palettes changeable	
Temperature measurement		
Temperature range	-20°C~+150°C/0°C~400°C (customizable)[The highest temperature can reach 3000°C]	
Temperature measurement precision	±2°C or ±2%	
Temperature measurement method	Support global, point, line, box, ellipse temperature measurement method	
Intelligent Analysis		
High temperature alarm	Full side or user-defined range to high temperature alarm	
Alarm linkage*	Action with alarm when put in PTZ	
Network protocol		
Video processing	H.264 compression, support dual stream 32kbps-12Mbps adjustable, support frame rate 1-25f/s adjustable, support dual stream, support AVI video file	
Network protocol	TCP/IP,ICMP,HTTP,DHCP,DNS,RTP,RTSP,RTCP,IGMP,802.1X,ONVIF(Profile S)	
General function	heart beat function, password protection, multi-access control	
Raw image	Support raw image network transport	
Video browsing and configuring	Support IE, PC client	
Interface		
Input power	DC12:+9V~+15V	
internet access	10M/100M/1000M self-adaption	
Serial port	Dual ports, one for RS232, one for 485 Ethernet port	
Alarm I/O	Support dual alarm signal input, one alarm signal output	
Local storage*	Micro-SD(TF), support up to 64GB	
Analog video output	CVBS (75Ω) PAL	
Physical Specifications		
Working temperature & humidity range	-20°C~+50°C(customizable -20°C~+60°C),Humidity 5%~95% noncondensing	
Storage temperature	-45°C~+70°C	
Encapsulation	IP40	
Shock	2g(IEC 6008-2-6)	
Power consumption	<3W	
Tripod	UNC 1/4"-20	
Dimension	100mmx52mmx52mm	116mmx56mmx52mm
Weight	<400g	